

PASSAT FRAMEWARMERS TYPE 15/22/13



USER MANUAL

Contents:

1. General safety instructions
2. Startup
3. Intended use
4. Restrictions
5. Foreseeable misuse
6. Maintenance and Cleaning
7. Faults and Defects
8. Disposal
9. Technical Data
10. Imprint

Foreword

Congratulations on your purchase of a Passat-Framewarmer. You bought a device of the latest generation. All devices of this series offer a very high level of operating safety and a long service life. For this unit to be of service to you for many years to come, please take the time to read these operating instructions carefully, especially before using the unit for the first time.

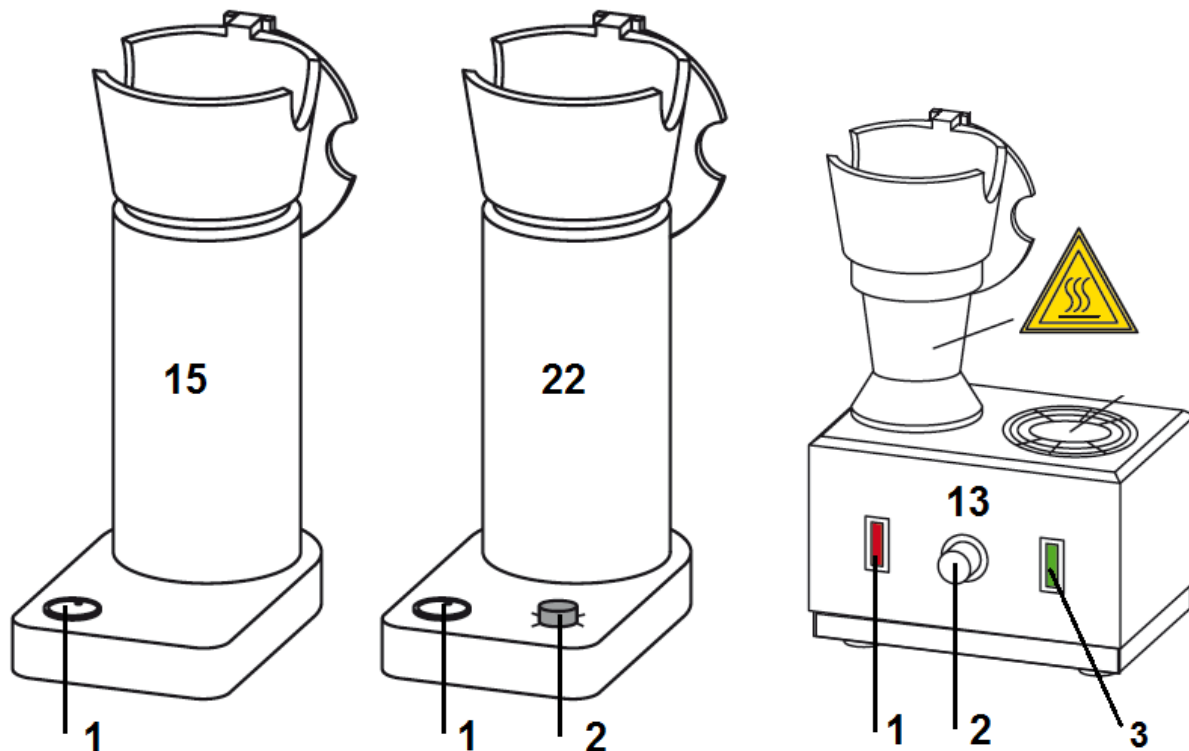
1. General safety instructions

- Before using the device read the user manual thoroughly and always comply with the information provided
- Check if the rated voltage on the rating plate (base plate) is identical to your mains voltage
- Only connect the device to a properly installed shockproof socket
- Make sure to use the device only on a flat and dust-free surface
- Beaker and cover will heat during operation. Do not touch the hot surfaces. Also keep a safe distance to the air outlets at the side of the beaker and to the opening of the jet when using it
- There is a risk of body injury or property damage due to failure to comply with instructions given in this manual. Deyle GmbH will not assume liability for damages or defects due to failure to observe instructions given in this user manual

2. Startup

- Your mains voltage must be identical to the rated voltage on the rating plate (on base plate)
- Put the device into operation with main switch (1)
- Passat type 22/13: set desired temperature (2)
- Passat type 13: turn on cold air if desired (3)
- Passat type 15 uses a fixed temperature which may vary depending on the period of use
- For point heating please use the jet (3). Only use the jet with opened cover. Before you remove the jet, wait until it has completely cooled down. Otherwise there is the risk of burns
- Use the jet only with a maximum temperature of 180° and with opened cover
- This device generates heat. Device safety is only guaranteed if the device is used as intended (see chapter 3)

Figure 1: overview controls



3. Intended use

- The device must only be used in inner areas
- Permissible ambient temperatures for operation are: +10 to +40° Celsius/50 to 104° Fahrenheit
- Do not use this device in moist environments
- Do not cover the device – fire hazard!
- Do not drop screws or small parts into the device while working. This could cause damage to the device
- Please avoid long-term use of the device with closed cover. The cover could be damaged
- Only use the jet with opened cover. Otherwise the cover could bend
- If you don't use the device for a longer period of time, turn it off and disconnect it from the mains
- Store the device in a dry, clean place
- Deyle GmbH accepts no liability for any consequences from improper use

4. Restrictions

- Only operate the device with rated voltage
- Mains voltage fluctuations can cause temperature fluctuations of the device
- The device is only intended for use in inner areas. Do not use the device in moist environments
- The device is not suitable for potentially explosive or flammable atmospheres
- The device is intended for operation in upright position. Do not operate the device in horizontal or inclined positions
- Operate this device only on a firm, clean and level surface
- In case of overheating a built-in overheat-protection will cut the power supply to the heater. Despite this you should only operate the device under supervision

5. Foreseeable Misuse

Please avoid the following points of misuse for a safe operation of your Passat Framewarmer. Observe the instructions given in this manual at all times!

Operation of a damaged device

- Do not operate the device if it is obviously damaged or has been dropped
- Do not operate the device with a damaged supply cable

Use of liquids on the device or in the surrounding areas

- Never use any liquids on the device, also with power switched off
- Never use any liquids in the surrounding area of the device
- Always avoid splash, hose or pressure water

Manipulation of the device

- Do not remove any parts
- Do not modify or convert the device
- Do not cover any ventilation openings
- Never completely cover the device!-→Fire Hazard!

-

6. Maintenance and cleaning

Always remove the plug before cleaning!!!

- The device requires no special maintenance
- In case of commercial use the device needs to be checked by an electrician periodically. This can also be carried out by your specialist dealer or Deyle GmbH. Please feel free to contact us (see Chapter 10/11) (Only applies to Germany – For other countries local statutory regulations and provisions must be observed)
- Always keep the device clean
- Only use a damp cloth to clean the device. The cloth must not drop!
- For stronger contamination you can use a cloth soaked with dishwashing liquid
- Do not use running water or pressure water for cleaning!
- Do not use solvent-containing or aggressive cleaners on the device. This could cause severe damage to the powder-coated surfaces as well as to the plastic parts
- Dust in the beaker may lead to odor development. This odor will stop after the dust was combusted. This is not a hazard or a defect

7. Faults and Defects

- If the temperature of the device will strongly increase put the device out of operation right away
- In the event of faults or defects contact your local specialist dealer or our customer service
- Only qualified service personnel should remove the cover or attempt to service this device. We recommend a specialist dealer or our customer service for service and repair to achieve the best result. During warranty period the device must only be repaired by our customer service. Otherwise the warranty will become void

8. Disposal

- The device should be taken out of service and being properly disposed at the end of its service life
- We also take back the device and dispose it properly
- For the disposal the national statutory regulations and provisions in the country of installation must be complied with

9. Technical data

Technical data	Passat 15	Passat 22	Passat 13
Dimensions incl. beaker	100x225x150mm (3,93x8,85x5,9 inch)	100x225x150 mm (3,93x8,85x5,9 inch)	180x130x280mm (7x5,11x11 inch)
Weight incl. packaging	1,7 kg/3,74 lbs	1,8 kg/3,96 lbs	2 kg/4,4 lbs
Rated Voltage/Frequency:	230V/50Hz		
Protection class:	I		
Degree of protection:	IP20		
Heat output	265 W	300 W	300 W
Overheating protection:	Double Protection, in case of brief overheating a bimetal-fuse cuts out and turns the device back on after cooling down. In case of longer term overheating a thermal fuse will trip. It can only be used once and needs to be replaced		
Scope of Delivery	Passat-Framewarmer, jet, user manual		

10. Imprint

DEYLE

Deyle GmbH
 Tulpenstraße 50
 DE-71394 Kernen i. R.
 Phone: +49 (0) 71 51 4 10 46
 Fax: +49 (0) 71 51 4 68 06
 E-Mail: mail@deyle-power.de
 Internet: www.deyle-power.de
www.passat-heissluftgeraete.de/en/



Management: Dipl.-Ing. Dr. Florian Mehl, Dipl.-Ing. Dr. Horst Mehl
 Eintragung beim Amtsgericht Stuttgart: HRB 262197;

© 2018 Deyle GmbH All Rights reserved. This user manual may not be duplicated without permission of Deyle GmbH.