

 **Passat**
FRAMEWARMERS



Your benefits

- » 3 years manufacturer's guarantee and warranty
- » Electrical final inspection and function test on all units to 100 %
- » Double overheat protect of the appliance
- » Heat-resistant, thermostable synthetic materials up to 200 °C/392 °F
- » Valuable and stiff metal case
- » Slight motor with long working life
- » Repair and maintenance service
- » Telephonic support in case of technical questions
- » Long-standing obtaining of spare parts
- » Highly qualitative and tested components
- » Environmentally suitable manufacturing and disposal of second-hand equipment
- » Energy efficient and environmentally friendly
- » High temperature with a little expenditure of energy
- » Appliances are corresponding to CEE (VDE)

Philosophy

Our products convince by their high level of quality and their unique working life. Energy efficiency and environmental conservation are things we are concerned about. Only for this reason we are able to provide sustainable products for our customers.

Trained staff is regularly brought up to date with current technology. Thus we can guarantee a professional consulting and a customer-oriented development of our products.

We – the DEYLE GmbH – are proud of that and stand with our name for "Made in Germany".



Passat [15]

The base appliance with 230 V and 215 W heating power without temperature control.

The maximum operating temperature is 180°C. With a top (jet) we reach the temperature range of highly thermostable plastics up to 250°C.

The **Passat [15]** is characterized by its simple application, its valuable case, its slight motor and its long working life.

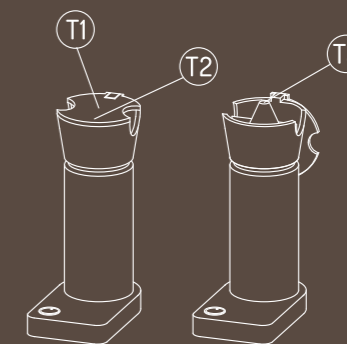
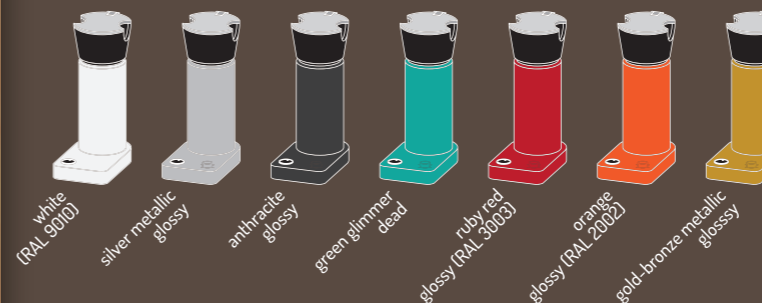
Double overheating protection is a standard feature. In case of significant heat generation the **Passat [15]** is immediately switched off by the electrical circuit. Moreover the appliance is maintenance-free.

The **Passat [15]** is equipped with UL-standard cable and SCHUKO plug (earthed safety plug), plastic beaker and cover. Item no. 0150024

In addition the **Passat [15]** is obtainable as the 110 V-version. Item no. 0150011



These colours are available:



T1 ... temperature in the middle of the plastic beaker
 T2 ... temperature at the wall of the plastic beaker
 T3 ... temperature above the jet

	T1	T2	T3
150°C/302°F	60"	45"	15"
180°C/356°F	120"	80"	20"
230°C/446°F			60"
250°C/482°F			120"

The indicated temperatures are measured at the specific points T1 to T3. The figure says, after how many seconds ["] the temperature is reached. Other points and/or different room temperatures may change these measurements. Voltage fluctuations caused by your energy utility may lead to variations in temperature.



Passat [22]

The premium appliance with 230 V and 300 W heating power with individual two-point electronic heat control.

Suitable for highly demanding conditions requiring exact temperature repetition. The maximum temperature is 180°C. Manual controllable of 75°C to 180°C.

Just as the base appliance, the **Passat [22]** is characterized by its simple application, its valuable case, its slight motor and its long working life.

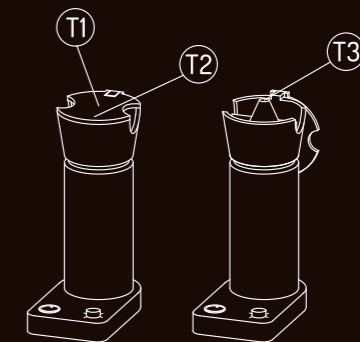
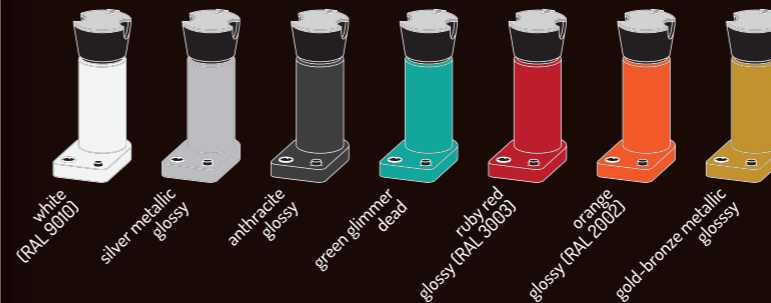
In addition, the temperature can be individually controlled. Double overheating protection is a standard feature. In case of significant heat generation the **Passat [22]** is immediately switched off by the electrical circuit. Moreover the appliance is maintenance-free.

The **Passat [22]** is equipped with UL-standard cable and SCHUKO plug (earthed safety plug), beaker and cover. Item no. 0220024

In addition the **Passat [22]** is also obtainable as the 110 V version. Item no. 0220011



These colours are available:



T1 ... temperature in the middle of the plastic beaker
 T2 ... temperature at the wall of the plastic beaker
 T3 ... temperature above the jet

	T1	T2	T3
150°C/302°F	40"	20"	10"
180°C/356°F	90"	35"	15"
220°C/428°F			26"

The indicated temperatures are measured at the specific points T1 to T3. The figure says, after how many seconds ["] the temperature is reached. Other points and/or different room temperatures may change these measurements. Voltage fluctuations caused by your energy utility may lead to variations in temperature.



Passat [13]

The further development of the classic.

Electronical temperature control identical to Passat [22], 230 V-model and 300 W heating power with separate cooling fan for quick cooling off of frames.

Suitable for highly demanding conditions requiring exact temperature repetition. The maximum temperature is 180°C. Manual controllable of 75°C to 180°C.

Just as the base appliance, the **Passat [13]** is characterized by its simple application, its valuable case, its slight motor and its long working life.

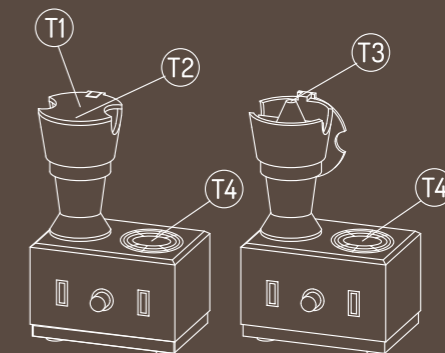
In addition, the temperature can be individually controlled. A separate cooling fan enables to reduce the processing time. Moreover the appliance is maintenance-free.

The **Passat [13]** is equipped with UL-standard cable and SCHUKO plug (earthed safety plug), beaker and cover.
Item no. 0130024A (white) or 0130024AS (silver edition)

In addition the **Passat [13]** is also obtainable as the 110 V version.
Item no. 0130011A (white) or 0130011AS (silver edition)



These colours are available:



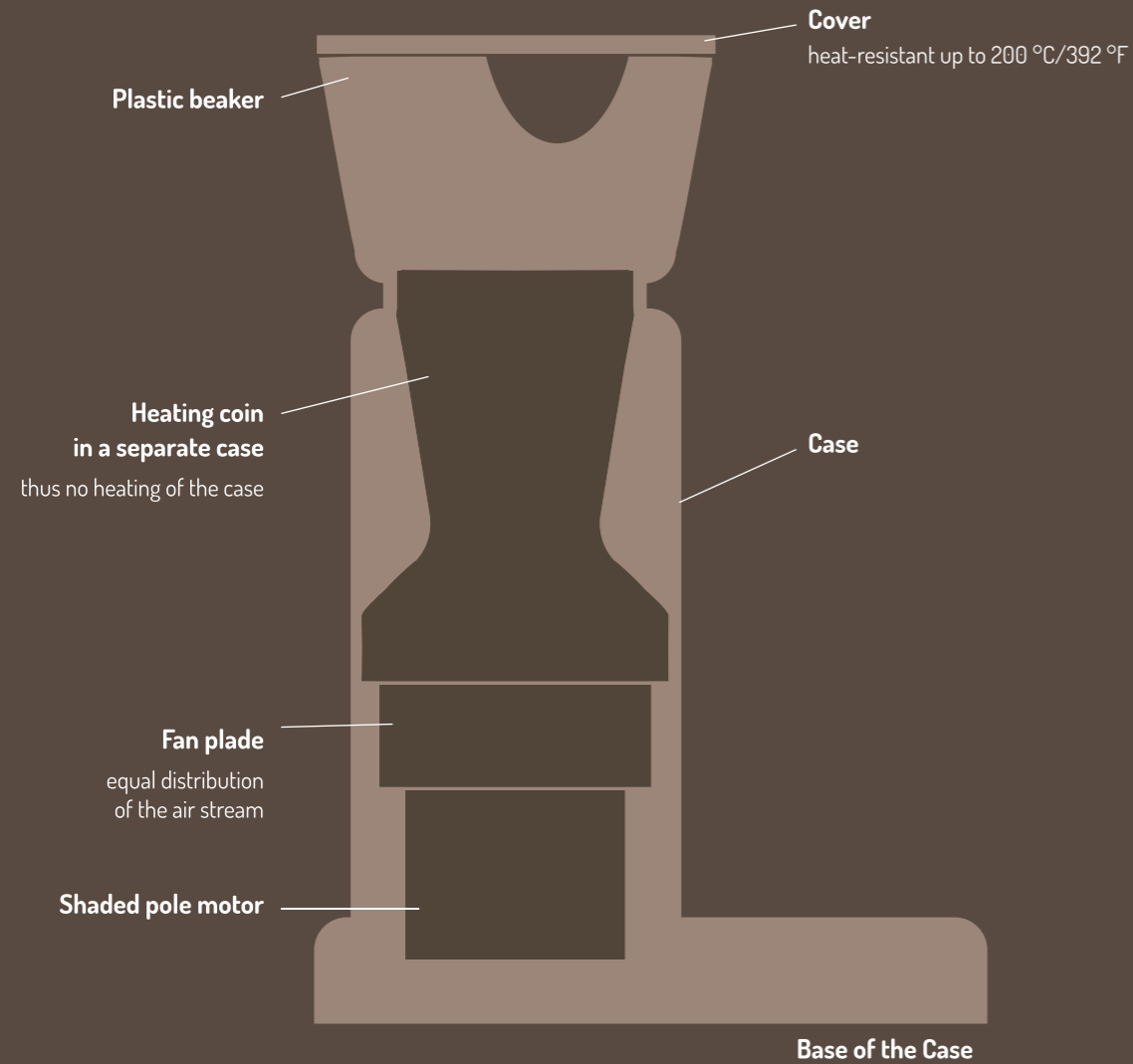
- T1 ... temperature in the middle of the plastic beaker
- T2 ... temperature at the wall of the plastic beaker
- T3 ... temperature above the jet
- T4 ... temperature above the cooling fan

	T1	T2	T3	T4
150°C/302°F	30"	25"	10"	RT*
180°C/356°F	120"	40"	15"	RT*
220°C/428°F			26"	RT*

RT* room temperature

The indicated temperatures are measured at the specific points T1 to T4. The figure says, after how many seconds ["] the temperature is reached. Other points and/or different room temperatures may change these measurements. Voltage fluctuations caused by your energy utility may lead to variations in temperature.

Scheme of the Passat framewarmers



Quality and Technology

We guarantee high-end products. Because we check all incoming materials, there are performance testing of each production run and a final check of the appliance concerning the electrotechnical quality of our appliances.

Our technique is based on an environmentally friendly production, taking into account technical and efficient solutions. Thus we are able to offer sustainable products.

Even among ourselves, we focus on sustainability – to your satisfaction. Regular quality control and training of our employees are self-evident. So you can be definite about our support by our qualified staff.

Of course, we manufacture corresponding to VDE and CEE. From this conviction, all **Passat** framewarmers have 3 years guarantee and warranty.





 **Passat**

FRAMEWARMERS

DEYLE GmbH
Tulpenstrasse 50
71394 Kernen i. R.
Germany

Phone +49 7151 4 10 46
Fax +49 7151 4 68 06
mail@passat-framewarmers.com
www.passat-framewarmers.com